

BeoLink Converter NL/ML

WARNING: To reduce the risk of fire or electric shock, do not expose this appliance to rain or moisture.



The lightning flash with arrowhead symbol within an equilateral triangle, is intended to alert the user to the presence of uninsulated "dangerous voltage" within the product's enclosure that may be of sufficient magnitude to constitute a risk of electric shock to persons.



The exclamation point within an equilateral triangle is intended to alert the user to the presence of important operating and maintenance (servicing) instructions in the literature accompanying the product.



仅适用于海拔2000m以下地区安全使用。



仅适用于非热带气候条件下安全使用。如果在热带地区使用，房间内必须有空调

Cautions

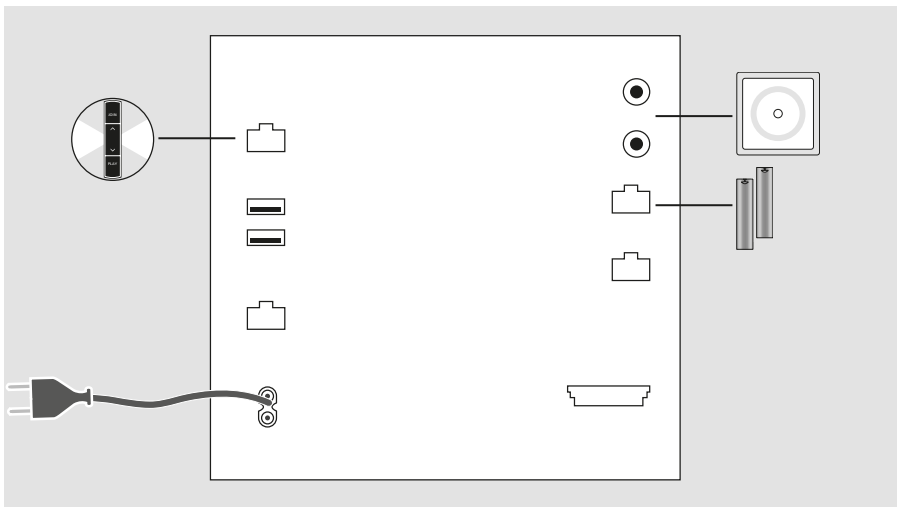
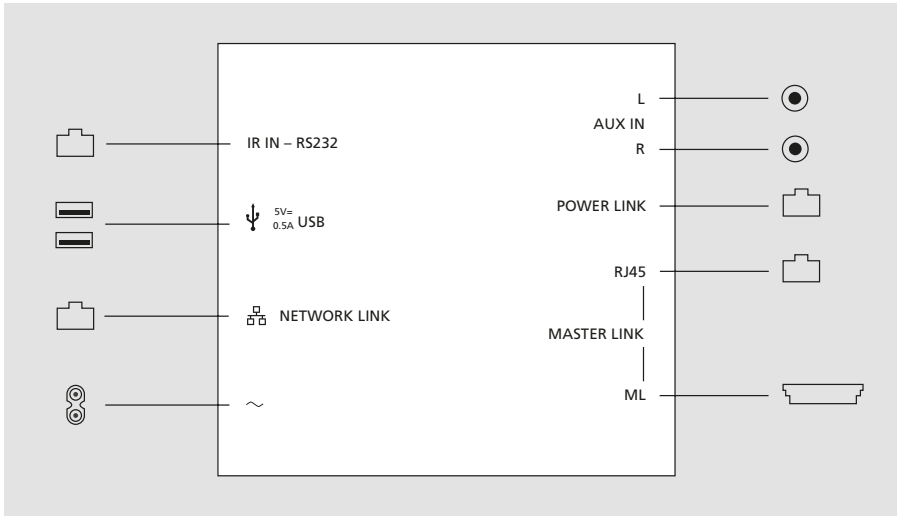
- Make sure that the product is set up, placed and connected in accordance with the instructions.
- Do not connect any of the products in your system to the mains, until you have connected all the cables.
- Follow instructions to ensure correct and safe installation and interconnection of equipment in multimedia systems.
- Only connect to a local area network (LAN) that does not exit your flat, house or building.
- Do not attempt to open the product. Leave such operations to qualified service personnel.
- No naked flames sources, such as lighted candles should be placed on the apparatus.
- The product can only be switched off completely by disconnecting it from the mains socket. The mains socket must always be accessible..
- The supplied plug and mains cord are specially designed for the product. Do not change the plug and if the mains cord is damaged, you must buy a new one from your Bang & Olufsen retailer.
- Do not expose this equipment to dripping or splashing and ensure that no objects filled with liquids, such as vases, are placed on the equipment.
- Make sure the cable connection between the product and the router does not exit the building to avoid contact with high voltage
- Changes or modifications not expressly approved by the party responsible for compliance could void the user's authority to operate the equipment.

Important Safety Instructions

- Read these instructions.
- Keep these instructions.
- Heed all warnings.
- Follow all instructions.
- Do not use this apparatus near water.
- Clean only with dry cloth.
- Do not block any ventilation openings. Install in accordance with the manufacturer's instructions.
- Do not install near any heat sources such as radiators, heat registers, stoves, or other apparatus (including amplifiers) that produce heat.
- Do not defeat the safety purpose of the polarized or grounding-type plug. A polarized plug has two blades with one wider than the other. A grounding type plug has two blades and a third grounding prong. The wide blade or the third prong are provided for your safety. If the provided plug does not fit into your outlet, consult an electrician for replacement of the obsolete outlet.
- Protect the power cord from being walked on or pinched particularly at plugs, convenience receptacles, and the point where they exit from the apparatus.
- Only use attachments/accessories specified by the manufacturer.
- Use only with the cart, stand, tripod, bracket, or table specified by the manufacturer, or sold with the apparatus. When a cart is used, use caution when moving the cart/ apparatus combination to avoid injury from tip-over.

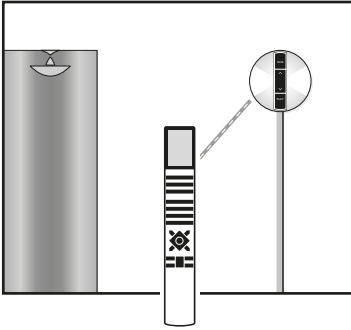


- Unplug this apparatus during lightning storms or when unused for long periods of time.
- Refer all servicing to qualified service personnel. Servicing is required when the apparatus has been damaged in any way, such as power-supply cord or plug is damaged, liquid has been spilled or objects have fallen into the apparatus, the apparatus has been exposed to rain or moisture, does not operate normally, or has been dropped.

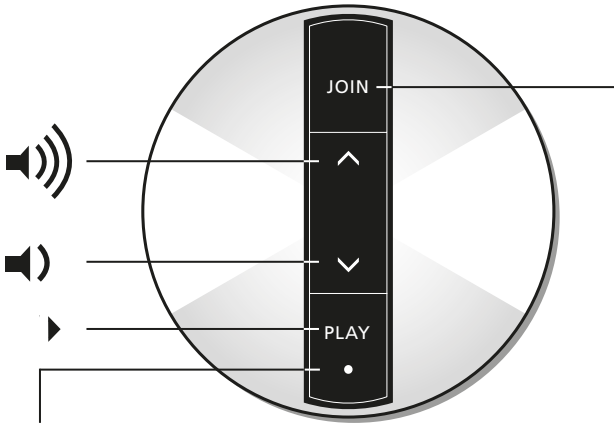


Technical specifications, features and the use thereof are subject to change without notice.

www.bang-olufsen.com/faq



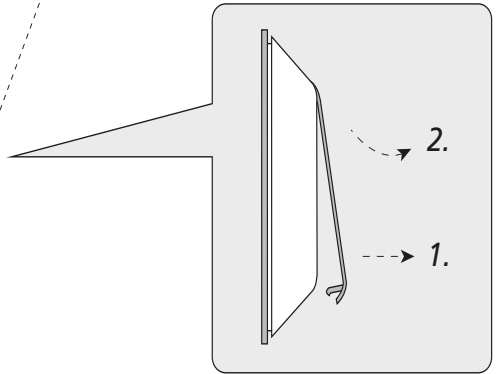
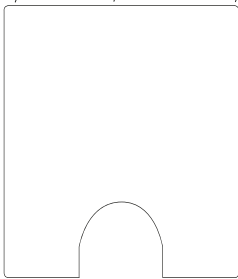
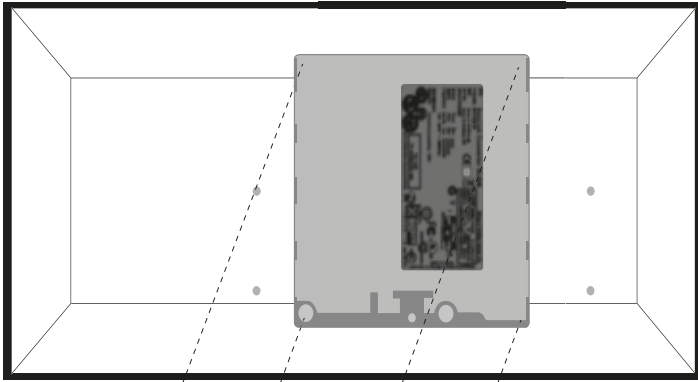
Optional IR-receiver - IR-modtager (ekstraudstyr) - IR-mottagare (tillval) - Infrapunavastaanotin (lisävaruste) - Optionaler IR-Empfänger - Optionele IR-ontvanger - Récepteur IR en option - Receptor IR opcional - Ricevitore IR opzionale - Receptor de IR opcional - Προαιρετικός δέκτης IR - Дополнительный ИК-приемник - オプションIR受光部 - IR 리시버(추가 옵션) - 选配的红外接收器 - 選配 IR 接收器



Standby
Standby
Standby
Valmiustila
Standby
Stand-by
Veille
Standby
Standby
Standby
Αναμονή

Режим ожидания
スタンバイ
대기
待機
待機

Press to listen in on sound from another room
Tryk for at lytte til lyd fra et andet rum
Tryck för att lyssna på ljud från ett annat rum
Painamalla voit kuunnella toisesta huoneesta
Drücken, um den Klang aus einem anderen Raum mitzuhören.
Druk om het geluid van een andere kamer te beluisteren.
Appuyer sur ce bouton pour écouter le son provenant d'une autre pièce
Pulse para escuchar sonido transmitido desde otra habitación
Premere per ascoltare l'audio da un'altra stanza
Prima para ouvir som de outra sala
Πιέστε για να ακούσετε ήχο από κάποιο άλλο δωμάτιο
Нажмите для прослушивания звучания из другой комнаты
別の部屋からの音楽を聴くときに押します。
다른 방에서 재생 중인 음악을 듣고 싶을 때 누르세요.
按此即可聆听从另一个房间播放的音乐
按下即可監聽來自其他房間的聲音



Important information

English



Electrical and electronic equipment, parts and batteries marked with this symbol must not be disposed of with normal household waste, it must be collected and disposed of separately to protect the environment.

Your Bang & Olufsen retailer will advise you of the correct way of disposal in your country.

This Class B digital apparatus complies with Canadian ICES-003.

NOTE: This equipment has been tested and found to comply with the limits for a Class B digital device, pursuant to part 15 of the FCC Rules. These limits are designed to provide reasonable protection against harmful interference in a residential installation. This equipment generates, uses and can radiate radio frequency energy and, if not installed and used in accordance with the instructions, may cause harmful interference to radio communications. However, there is no guarantee that interference will not occur in a particular installation. If this equipment does cause harmful interference to radio or television reception, which can be determined by turning the equipment off and on, the user is encouraged to try to correct the interference by one or more of the following measures:

This device complies with part 15 of the FCC Rules. Operation is subject to the following two conditions: (1) This device may not cause harmful interference, and (2) this device must accept any interference received, including interference that may cause undesired operation.

- Reorient or relocate the receiving antenna.
- Increase the separation between the equipment and receiver.
- Connect the equipment into an outlet on a circuit different from that to which the receiver is connected.
- Consult the dealer or an experienced radio/TV technician for help.

Dansk (Danish)



Elektrisk og elektronisk udstyr, reservedele og batterier, der er mærket med dette symbol, må ikke bortskaffes sammen med almindeligt husholdningsaffald. Det skal indsamles og bortskaffes separat for at beskytte miljøet.

Din Bang & Olufsen forhandler kan rådgive dig om den korrekte bortskaffelsesmetode i dit land.

Deutsch (German)



Mit diesem Symbol gekennzeichnete elektrische und elektronische Geräte, Bauteile und Batterien dürfen nicht in den normalen Haushaltsmüll gegeben, sondern müssen zum Schutz der Umwelt sämtlich getrennt eingesammelt und entsorgt werden.

Ihr Bang & Olufsen Fachhändler berät Sie bei der sachgerechten Entsorgung in Ihrem Land.

Español (Spanish)



Los equipos, piezas y baterías de tipo eléctrico y electrónico marcados con este símbolo no deben eliminarse junto con los residuos domésticos habituales; en su lugar, deben ser recogidos y eliminados de forma independiente para proteger el medioambiente.

Su distribuidor de Bang & Olufsen le asesorará acerca de los pasos a seguir en su país para realizar la eliminación de forma correcta.

Todos los productos Bang & Olufsen satisfacen los requisitos de las legislaciones medioambientales vigentes en todo el mundo.

Français (French)



Il n'est pas permis de jeter les équipements, les pièces électriques et électroniques et les batteries portant ce symbole avec les ordures ménagères ; ces équipements doivent être collectés et mis au rebut séparément afin de préserver l'environnement.

Votre revendeur Bang & Olufsen se fera un plaisir de vous conseiller sur la procédure correcte de mise au rebut dans votre pays.

Cet appareil numérique de la classe B est conforme à la norme NMB-003 du Canada.

Italiano (Italian)



Apparecchiature elettriche ed elettroniche, parti e batterie, contrassegnate con questo simbolo non devono essere smaltite con i normali rifiuti domestici, ma devono essere raccolte e smaltite separatamente per proteggere l'ambiente.

Per informazioni sulla procedura di smaltimento corretta per il proprio Paese, rivolgersi a un rivenditore Bang & Olufsen.

Nederlands (Dutch)



Elektrische en elektronische apparaten, onderdelen en batterijen gemarkeerd met dit symbool mogen niet als normaal huishoudelijk afval worden afgedankt. Ze moeten afzonderlijk worden ingezameld en afgedankt ter bescherming van het milieu.

Uw Bang & Olufsen-dealer zal u adviseren over de correcte manier van afdanken in uw land.

Português (Portuguese)



O equipamento eléctrico e electrónico, peças e pilhas marcadas com este símbolo não devem ser eliminados com os resíduos domésticos normais. Os elementos referidos devem ser recolhidos e eliminados em separado, de modo a proteger o ambiente.

O seu revendedor Bang & Olufsen pode aconselhá-lo sobre a forma correcta de eliminação no seu país.

Suomi (Finnish)



Tällä symbolilla merkityjä sähkö- ja elektroniikkalaitteita, niiden osia ja paristoja ei saa hävittää tavallisen kotitalousjätteen seassa; kaikki sähkö- ja elektroniikkalaitteet, niiden osat ja akut on kerättävä ja hävitettävä erikseen.

Bang & Olufsen -jälleenmyyjä antaa lisätietoja oman maasi hävittämiskäytännöstä.

Svenska (Swedish)



Elektriska och elektroniska produkter, delar och batterier försedda med den här symbolen får inte slängas med vanligt hushållsavfall. De måste samlas in och slängas separat för att skydda miljön.

Din Bang & Olufsen-återförsäljare kan ge dig råd om hur du gör dig av med uttjänta elektriska och elektroniska produkter i ditt land.

电子信息产品污染控制管理方法



部件名称:	有毒有害物或元素					
	铅 (Pb)	汞 (Hg)	镉 (Cd)	铬[六价] (Cr[VI])	多溴联苯 (PBB)	多溴二苯醚 (PBDE)
顶盖	×	0	0	0	0	0
印刷电路板组件	×	0	0	0	0	0

图表符号

- 0 表示有毒有害物在部件所有材料中的含量均在 ST/T 11363-2006 MCV 准定的限量要求以下。
 - ×
- 表示有毒有害物至少在部件的某一材料中的含量超出 SJ/T 11363-2006 准定的限量要求。

尺寸 (寬 x 高 x 深) :	37.3 x 17.0 x 4.0 公分
顏色	白色與鋁金屬色
耗電功率	13 瓦
電源電壓範圍	100 - 240 V, 50/60Hz



3511245130800003

3511245 Version 2.0 1308

